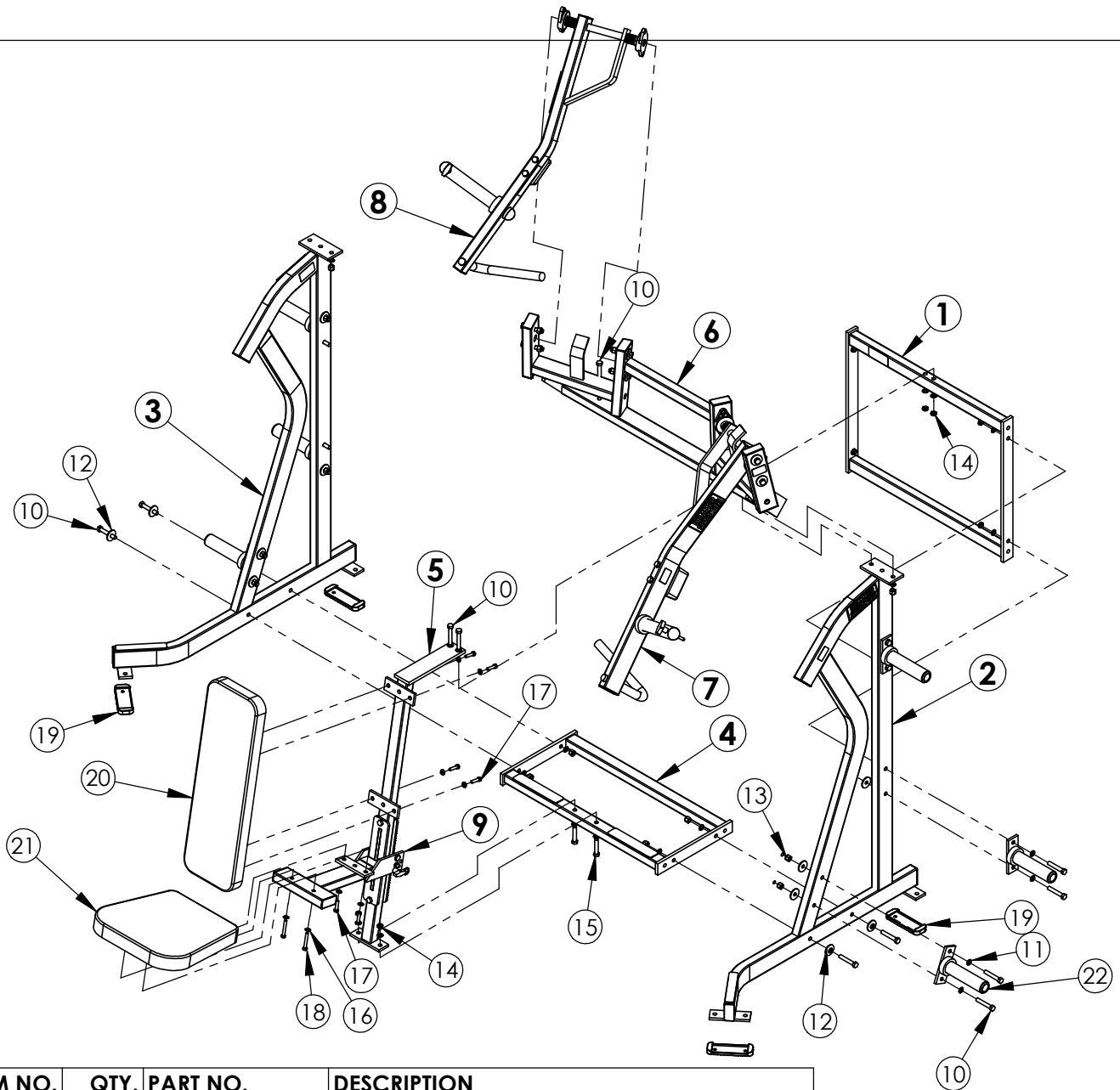


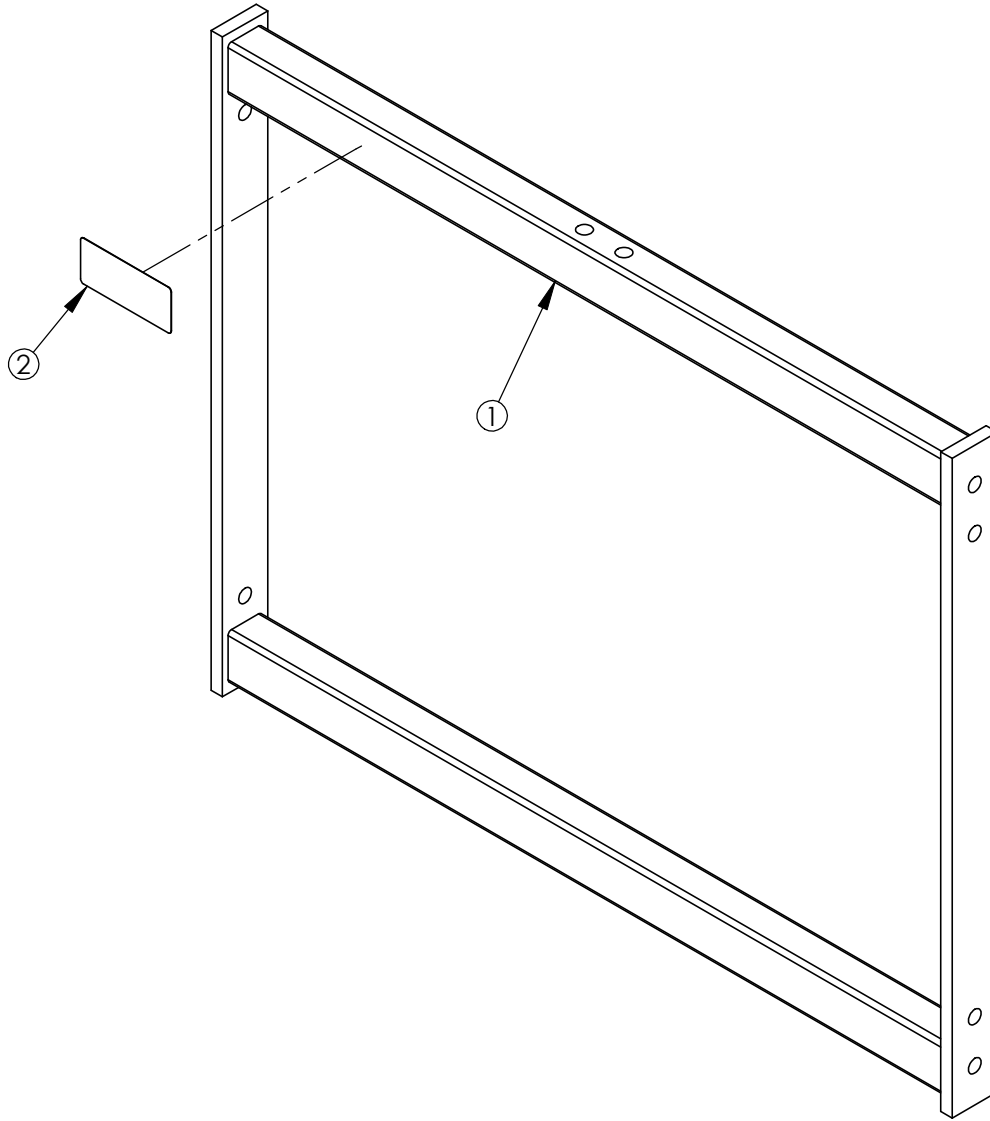
WEIGHT = 332.6 LB
LENGTH = 39"
WIDTH = 52"
HEIGHT = 75"

HAMMER STRENGTH EQUIPMENT



ITEM NO.	QTY.	PART NO.	DESCRIPTION
1	1	ILIP-CBX-0	ASSY. ILIP, BACK X-MEMBER
2	1	ILIP-CSFL-2	ASSY, ILIP, LEFT SIDE FRAME
3	1	ILIP-CSFR-2	ASSY. ILIP, RIGHT SIDE FRAME
4	1	ILIP-CFX-0	ASSY. ILIP, FRONT X-MEMBER
5	1	ILIP-CST-0	ASSY, ILIP, SEAT FRAME
6	1	ILIP-CTX-0	ASSY, ILIP, TOP X-MEMBER
7	1	ILIP-CMATH-2	ASSY. ILIP-H, LEFT MARM HOR. HANDLE
8	1	ILIP-CMATH-2	ASSY. ILIP-H, RIGHT MARM HOR. HANDLE
9	1	CSTD-ST2-1	ASSY, STANDARD SEAT 2
10	22	HHB.5X3	1/2 X 3 BOLT
11	32	WASH.5STAR	1/2" INTERNAL LOCK WASHER
12	16	H-BACK-WASH	BACKING WASHER
13	16	NUT.5LOCK	1/2 DIA THICK LOCK NUT
14	8	NUT.5JAMLOCK	1/2 THIN LOCK NUT
15	2	HHB.5X2.5	1/2 X 2 1/2 BOLT
16	8	WASH.375SAE	3/8" SAE FLAT WASHER
17	6	HHB.375X1.5	STEEL BOLT 3/8 X 1.5
18	2	HHB.375X2.5	STEEL BOLT 3/8 X 2.5
19	4	MM-8	2 X 6 FLANGE RUBBER SLIPPER
20	1	U-33-19	BACK PAD
21	1	U-16-11	16X11 PAD
22	6	H-HORN-ASSY	ASSY, WEIGHT HORN

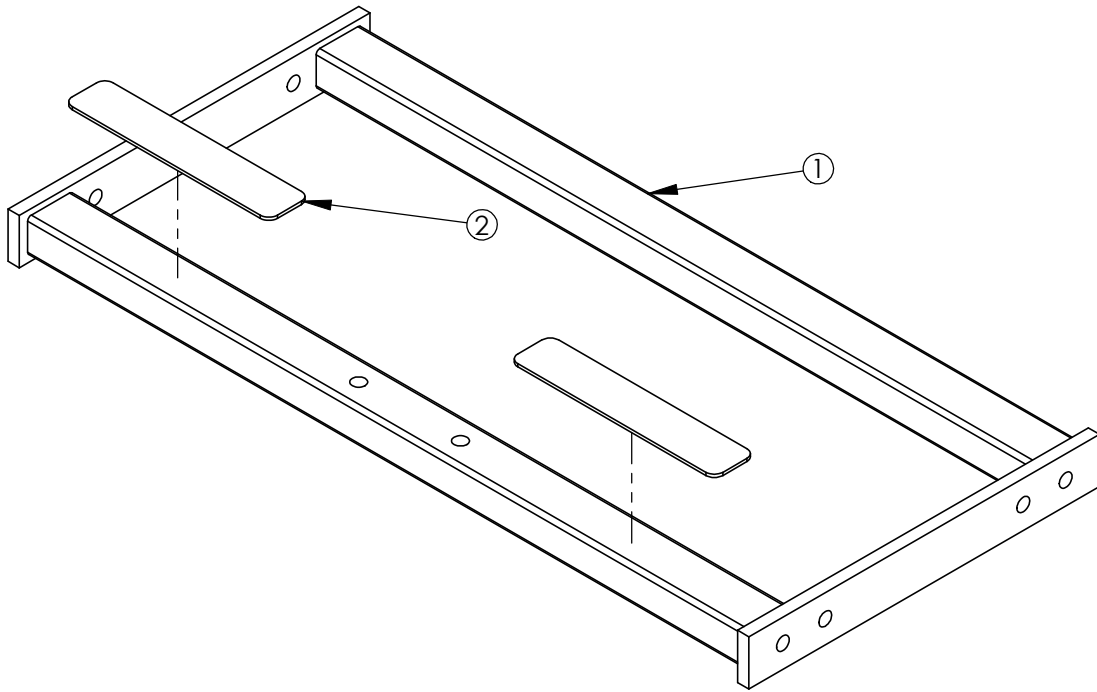
HAMMER STRENGTH EQUIPMENT
ILIP-CBX-0, ASSY. ILIP, BACK X-MEMBER



WEIGHT = 28 lb
 LENGTH = 33"
 WIDTH = 26"
 HEIGHT = 2"

ITEM NO.	QTY.	PART NO.	DESCRIPTION
1	1	ILIP-BX-0	WLDMT, ILIP, BACK X-MEM
2	1	8773701	SMALL WARNING HOR.

HAMMER STRENGTH EQUIPMENT
ILIP-CFX-0, ASSY, ILIP, FRONT X-MEMBER

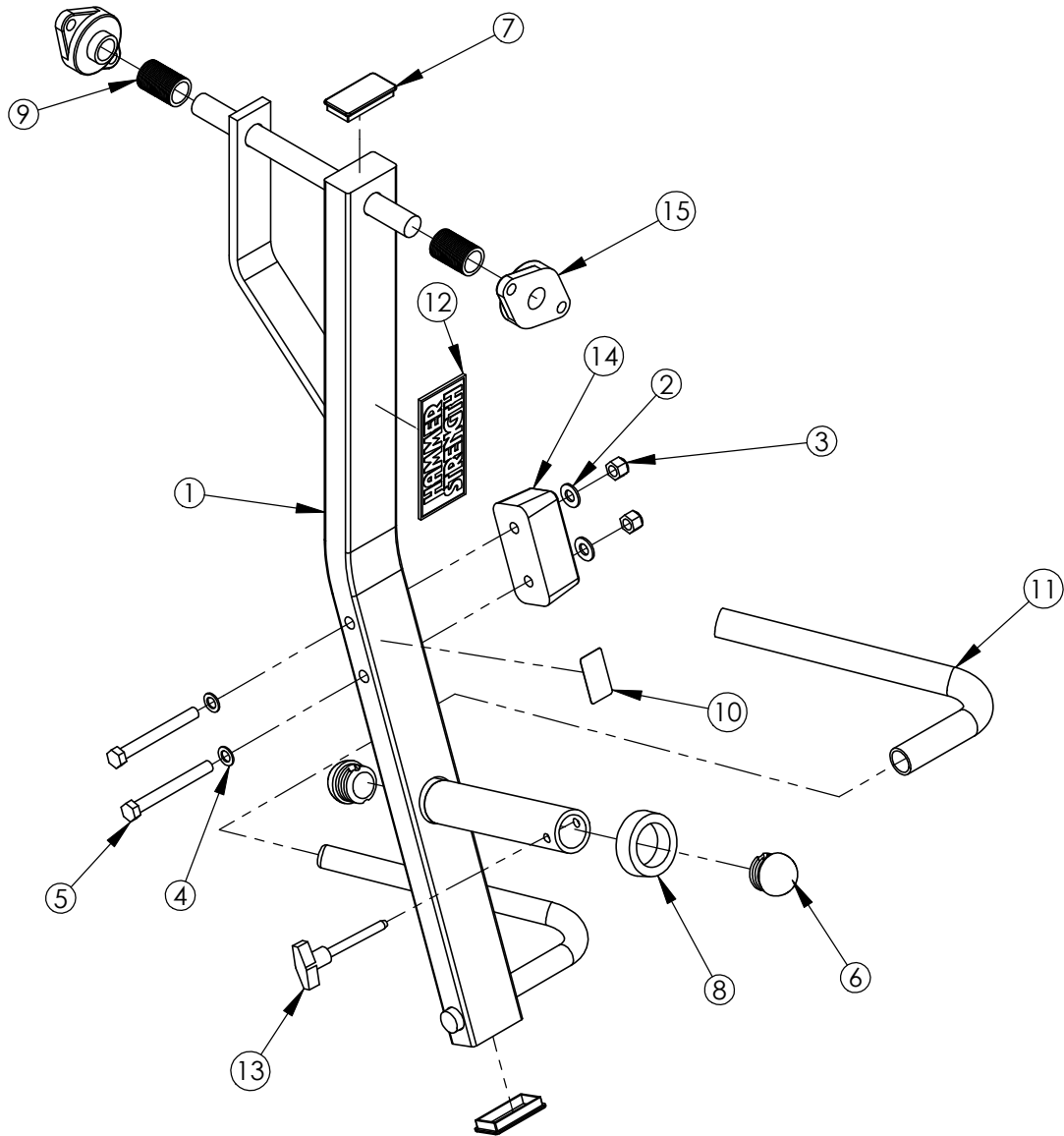


WEIGHT = 24 LB
 LENGTH = 33"
 WIDTH = 16"
 HEIGHT = 2"

ITEM NO.	QTY.	PART NO.	DESCRIPTION
1	1	ILIP-FX-0	WLDMT, ILIP, FRONT X-MEMBER
2	2	H-NONSKID	PLASTIC NON SKID STRIP 2 X 9

HAMMER STRENGTH EQUIPMENT

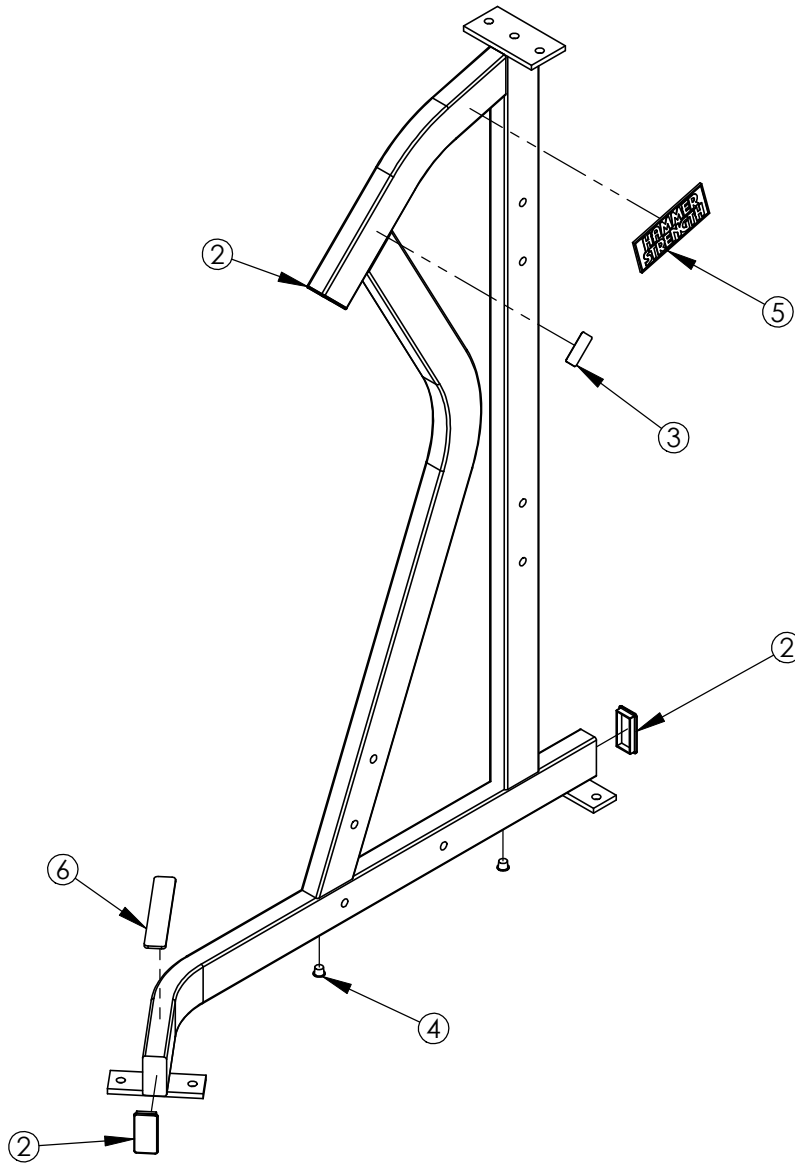
ILIP-MALH-2, ASSY, ILIP-H, LEFT MARM HOR. HANDLE



ITEM NO.	QTY.	PART NO.	DESCRIPTION
1	1	ILIP-MALH-1	WLDMT, ILIPH, LEFT MARM HOR. HANDLE
2	2	WASH.5SAE	1/2" SAE FLAT WASHER
3	2	NUT.5LOCK	1/2 DIA THICK LOCK NUT
4	2	WASH.5STAR	1/2" INTERNAL LOCK WASHER
5	2	HHB.5X4.5	1/2 X 4 1/2 BOLT
6	2	RUBCAP1-2	RUBBER CAP #1
7	2	RC1530-1Q1	CAP:1-1/2 X 3 RECTANGLE PLUG
8	1	H-RUBRNG	MM5 RING
9	2	ACCORDIAN	SHAFT GUARD
10	1	STAY CLEAR	STAY CLEAR DECAL
11	1	H-GRIP	HANDLE GRIPS (.938X16)
12	1	H-NAME PLATE	NAMEPLATE (45156-P)
13	1	SELECTOR PIN-3	SELECTOR PIN 3 IN.
14	1	H-BUMP-MED	MM2 MEDIUM
15	2	H-BEAR-SML	SMALL BEARING

WEIGHT = 30 LB
 LENGTH = 42"
 WIDTH = 22"
 HEIGHT = 9"

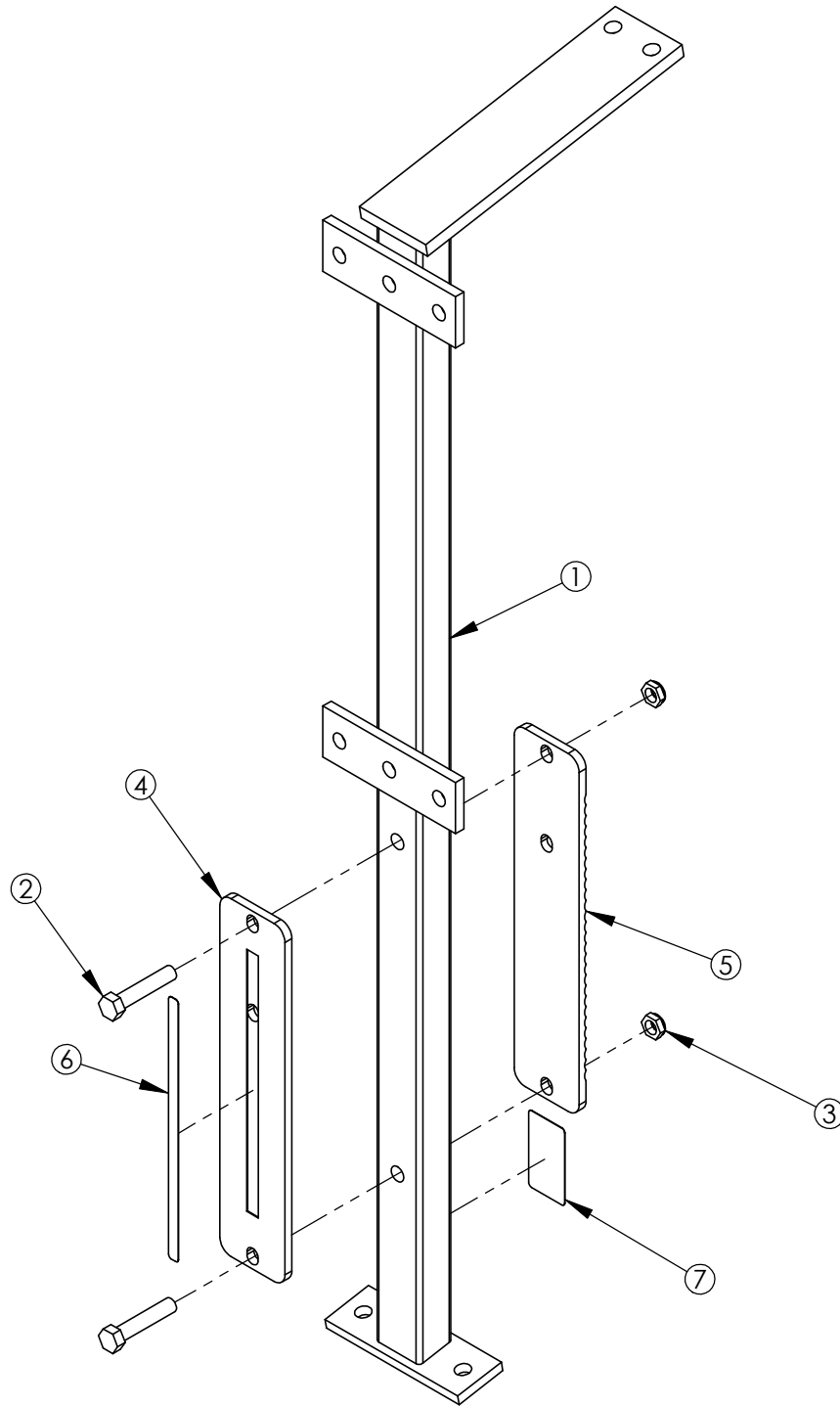
**HAMMER STRENGTH EQUIPMENT
ILIP-CSFL-2, ASSY, ILIP, LEFT SIDE FRAME**



ITEM NO.	QTY.	PART NO.	DESCRIPTION
1	1	ILIP-SFL-1	WLDMT, ILIP, LEFT SIDE FRAME
2	3	RC1530-1Q1	CAP:1-1/2 X 3 RECTANGLE PLUG
3	1	STAY CLEAR	STAY CLEAR DECAL
4	2	H-HPLUG (REG)	9/16IN HOLE PLUG
5	1	H-NAME PLATE	NAMEPLATE (45156-P)
6	1	H-PLATE-G1	SMALL PLATE GUARD

WEIGHT = 51 LB
 LENGTH = 46"
 WIDTH = 11"
 HEIGHT = 60"

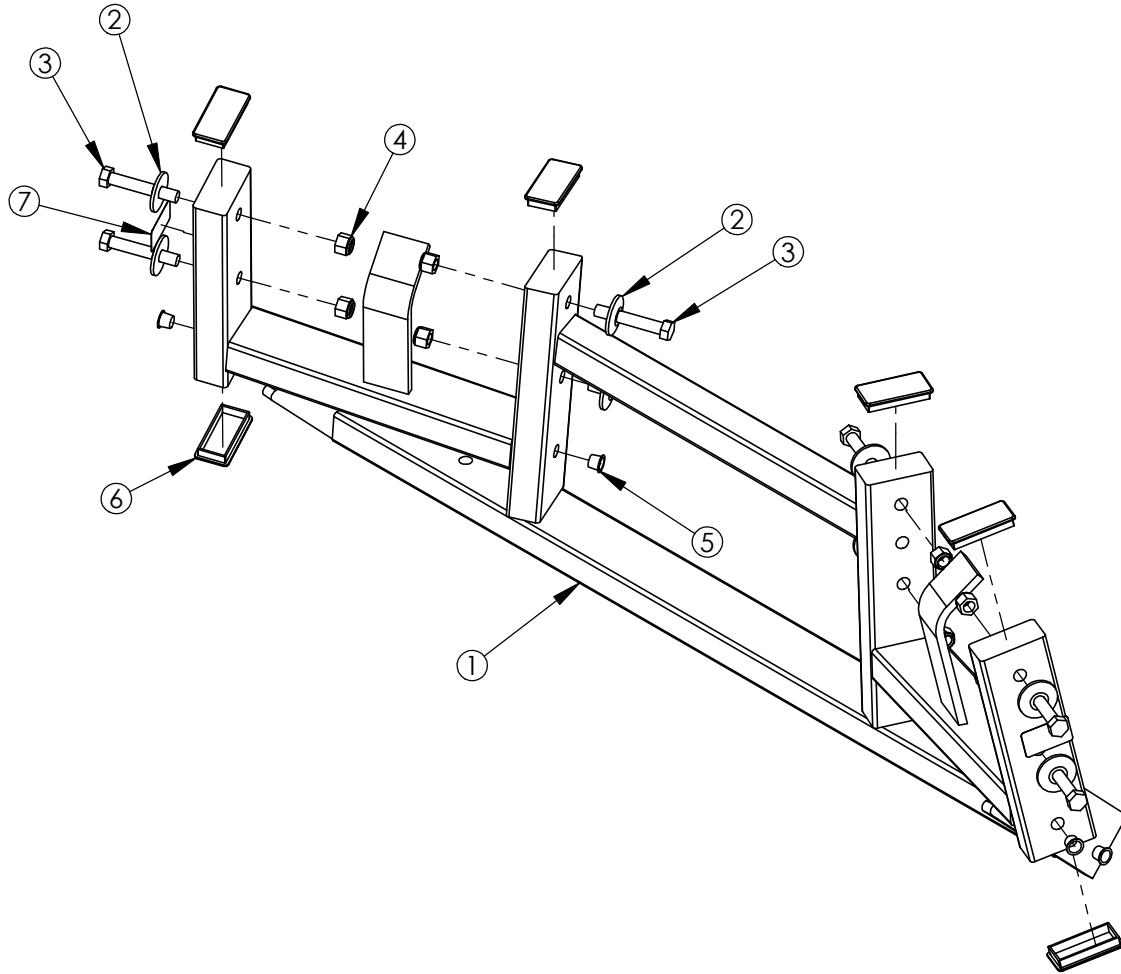
HAMMER STRENGTH EQUIPMENT
ILIP-CST-0, ASSY, ILIP, SEAT FRAME



ITEM NO.	QTY.	PART NO.	DESCRIPTION
1	1	ILIP-ST-0	WLDMT, ILIP, SEAT FRAME
2	2	HHB.5X2.5	1/2 X 2 1/2 BOLT
3	2	NUT.5JAMLOCK	1/2 THIN LOCK NUT
4	1	H-SEATRCKS-N	PLASTIC SEAT GUIDES(PP229)NEW)
5	1	H-SEATRCKS-RIB	SEATRACK BACK
6	1	SEAT NUMBER	SEAT ADJ. NUMBER
7	1	SERIAL NUMBER	SERIAL NUMBER

WEIGHT = 17 LB
 LENGTH = 29"
 WIDTH = 11"
 HEIGHT = 47"

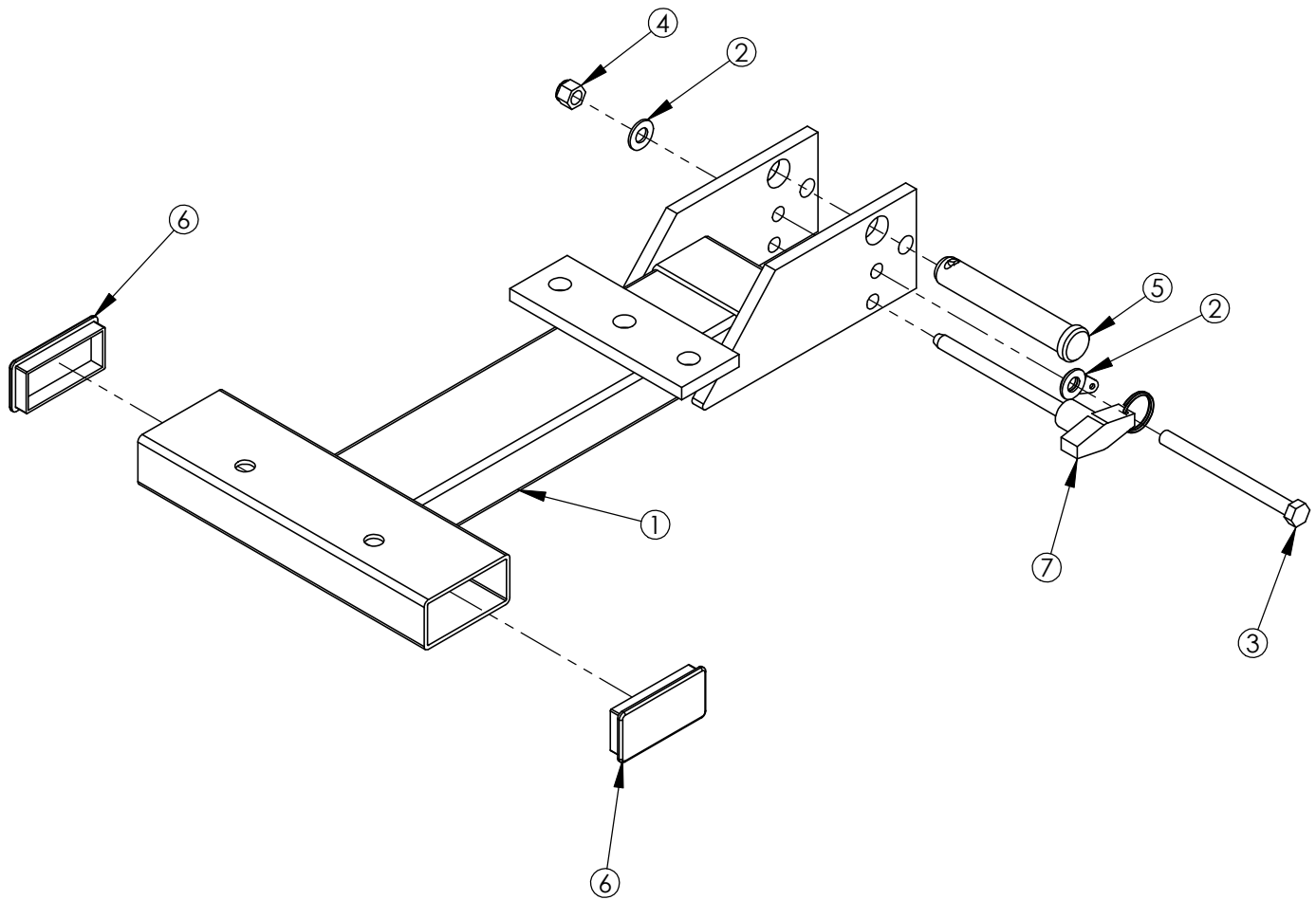
HAMMER STRENGTH EQUIPMENT
ILIP-CTX-0, ASSY, ILIP, TOP X-MEMBER



ITEM NO.	QTY.	PART NO.	DESCRIPTION
1	1	ILIP-TX-0	WLDMT, ILIP, TOP X-MEMBER
2	8	H-BACK-WASH	BACKING WASHER
3	8	HHB.5X3	1/2 X 3 BOLT
4	8	NUT.5LOCK	1/2 DIA THICK LOCK NUT
5	6	H-HPLUG (REG)	9/16IN HOLE PLUG
6	6	RC1530-1Q1	CAP:1-1/2 X 3 RECTANGLE PLUG
7	2	STAY CLEAR	STAY CLEAR DECAL

WEIGHT = 51 LB
 LENGTH = 52"
 WIDTH = 11"
 HEIGHT = 17"

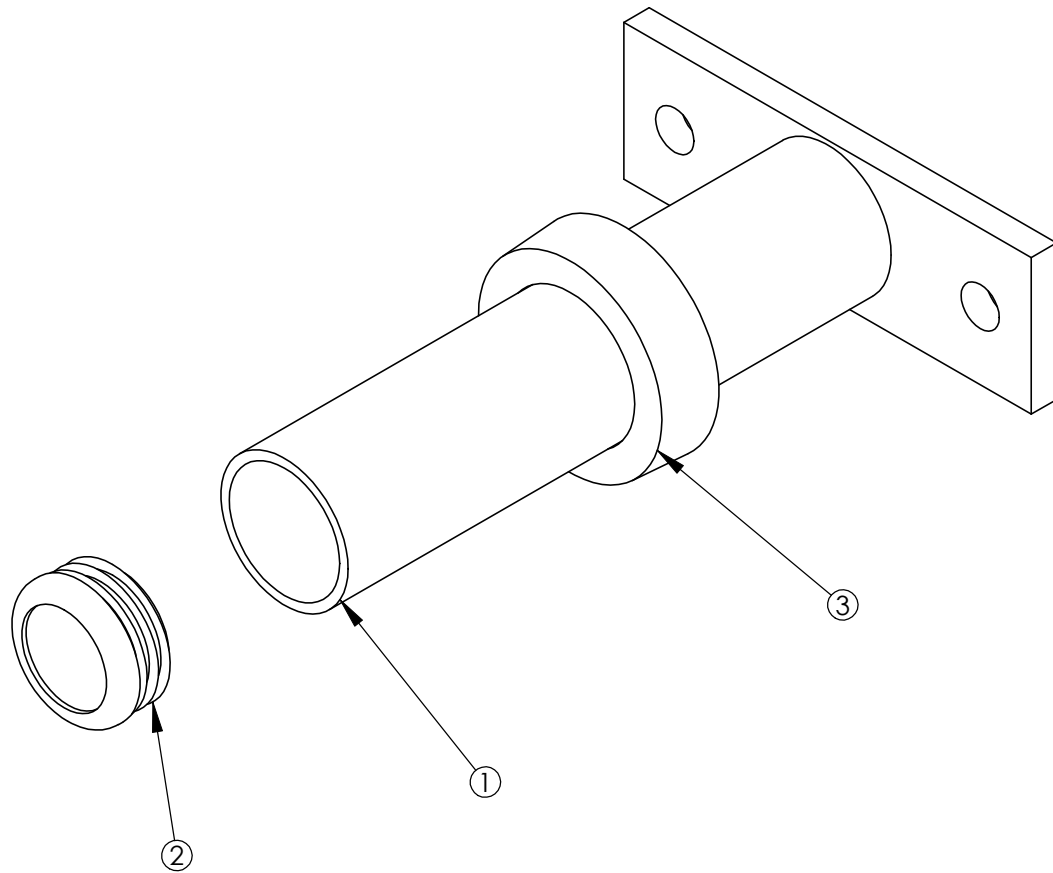
HAMMER STRENGTH EQUIPMENT
CSTD-ST2-1: ASSY, STANDARD SEAT 2



ITEM NO.	QTY.	PART NO.	DESCRIPTION
1	1	STD-ST2	Standard Seat #2
2	2	WASH.375SAE	3/8" SAE FLAT WASHER
3	1	HHB.375X4.5	STEEL BOLT 3/8 X 4.5
4	1	NUT.375LOCK	3/8 THICK LOCK NUT
5	1	STD SEAT PIN	LONG SEAT PIN (HDADJ)
6	2	RC1530-1Q1	CAP:1-1/2 X 3 RECTANGLE PLUG
7	1	SELECTPIN	ASSY, STD SEAT SELECTOR PIN

WEIGHT = 13 lb
 LENGTH = 20 1/2"
 WIDTH = 10 1/4"
 HEIGHT = 3"

HAMMER STRENGTH EQUIPMENT
H-HORN-ASSY: WEIGHT HORN ASSEMBLY



ITEM NO.	QTY.	PART NO.	DESCRIPTION
1	1	H-HORN	WLDMT, WEIGHT HORN
2	1	8078001	CAP, END 1.75 DIA RD 14-20 GA
3	1	H-RUBRNG	MM5 RING

WEIGHT = 3 1/4 lb
 LENGTH = 8 5/8"
 WIDTH = 6"
 HEIGHT = 3"